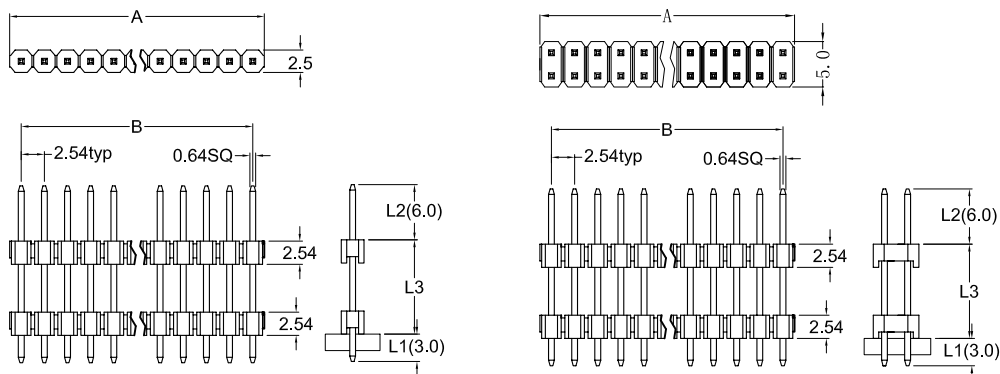
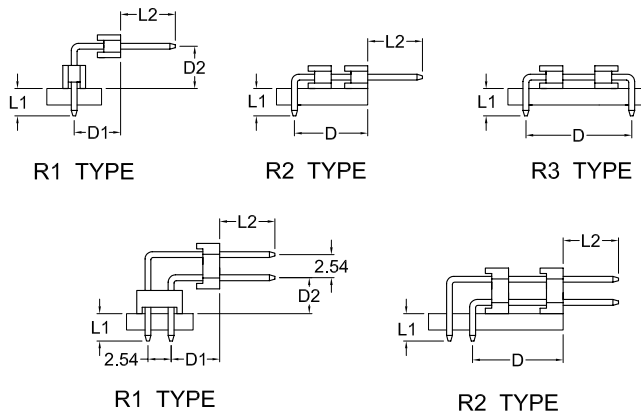


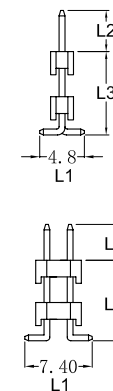
Straight Type



Right Angle Type



Surface Mount Type



材质 Material:

绝缘体 Insulator: Glass filled PBT UL94V-0 ,Black
 接触件 Contacts: Brass
 电镀层 Plating: Whole Gold plated over Nickel

电气性能 Electrical Characteristics:

接触电阻 Contact Resistance: 30mΩmax. at DC 100mA
 绝缘电阻 Insulator Resistance: 1000MΩmin. at 500V DC
 耐压 Withstanding Voltage: 1000V AC/rms 50Hz For 1 minute
 工作电流 Current Rating: 2 AMP

使用温度范围 Operating Temperature: -40°C ~ +105°C

Position	1 Thru 80
Dimension	
A±0.20	2.54 X No.of Positions
B±0.15	2.54 X No.of Positions -2.54

				TITLE	2.54mm双塑多功能加高排针		GENERAL TOLERANCE		DRAWN BY		DATE		CHION(CI XI) ELECTRONIC CO.,LTD. 啓宸(慈溪)电子有限公司		
				SERIES	QC501-3		x. : ±0.3		CHECKED BY		DATE				
				CUSTOMER P/N			x.x: ±0.2		APPROVED BY		DATE				
				UNITS	mm		x.xxx: ±0.1		DRAWING NO.		SHEET		1 OF 1		
SCALE				DESCRIPTION		CHK		DATE		SHEET SIZE		REV.		A0	
1				2		3		4		5		6		7	
				PROJECTION				ANGLE TOLERANCE							
								x. : ±2°							
								x.x: ±1°							
								x.xxx: ±0.5°							